

GEJST



MOLEKYL

Michael Rem, 2014

Type Candelight

Variants Molekyl 1, Molekyl 2 and Molekyl 4

Colours Black, Chrome or Brass

Consisting of a metal pipe, a magnetic and numerous steel balls, Molekyl candlelight is a unique candleholder that plays with materials, magnetism, shapes and individuality all at the same time. The final design of Molekyl is unfinished, with the ultimate shape decided by you.

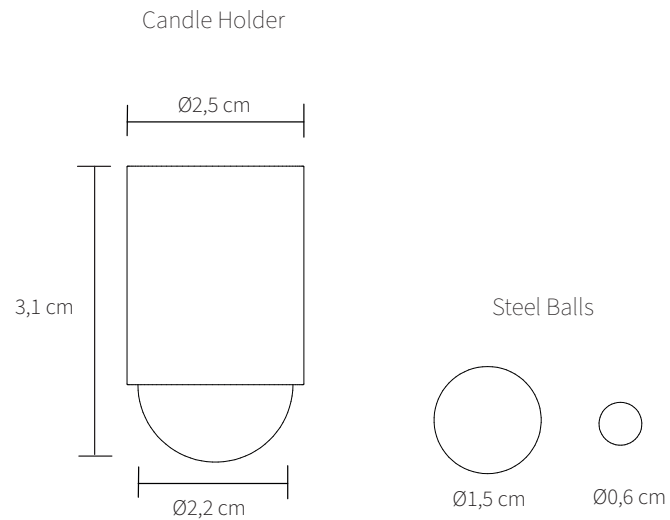
Each candleholder comes with 25 large and 25 small steel balls and a strong magnet. With endless possibilities for arranging the balls and candle pipe as you wish, no two Molekyl candleholders are the same.

Use the candleholder as a centerpiece on the table or on the windowsill. Combine multiple candleholders to create a traditional Christmas or seasonal display. Or take a more bold approach by placing the candle pipe on top of the balls like it is floating over a cluster of molecules. Place some of the steel balls under a thin table to play with perceptions of space and gravity. Alternatively, create your design using just the large or small balls together.

GEJST

SPECIFICATIONS

MOLEKYL 1

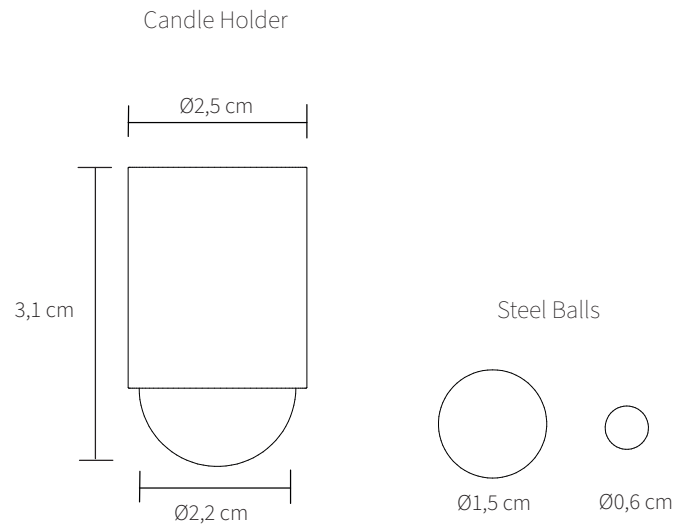


Product category	Accessories
Item no.	Black:10001 Chrome: 10002 Brass: 10003
EAN code	Black: 5712731100014 Chrome: 571273110002 Brass: 5712731100038
Country of origin	China
Tarif	7326.90.98.90
Materials	Steel Plated
Colour	Black, Chrome or Brass
Product dimensions (H x L x W)	Candle Holder: 3,1 cm x 2,5 cm x 2,5 cm Ball Small: $\varnothing 0,6$ cm Ball Large: $\varnothing 1,5$ cm
Packaging dimensions (H x L x W)	3 cm x 14 cm x 9,5 cm
Product weight	0,4 kg
Box Content	1 x Candle Holder, 25 x Small Steel Ball, 25 x Large Steel Ball and Manual
Cleaning	See page 5

GEJST

SPECIFICATIONS

MOLEKYL 2

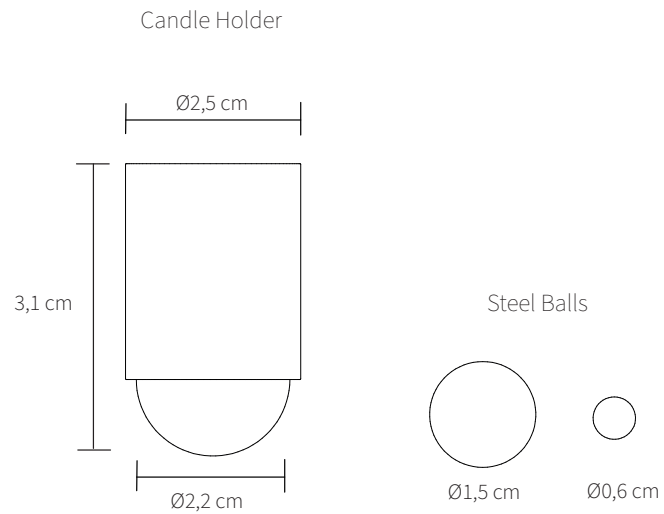


Product category	Accessories
Item no.	Black: 10021 Chrome: 10022 Brass: 10023
EAN code	Black: 5712731100212 Chrome: 5712731100229 Brass: 5712731100236
Country of origin	China
Tarif	7326.90.98.90
Materials	Steel Plated
Colour	Black, Chrome or Brass
Product dimensions (H x L x W)	Candle Holder: 3,1 cm x 2,5 cm x 2,5 cm Ball Small: \varnothing 0,6 cm Ball Large: \varnothing 1,5 cm
Packaging dimensions (H x L x W)	3 cm x 18,3 cm x 15 cm
Product weight	0,8 kg
Box Content	2 x Candle Holder, 50 x Small Steel Ball, 50 x Large Steel Ball and Manual
Cleaning	See Page 5

GEJST

SPECIFICATIONS

MOLEKYL 4



Product category	Accessories
Item no.	Black: 10041 Chrome: 10042 Brass: 10043
EAN code	Black: 5712731100410 Chrome: 5712731100427 Brass: 5712731100434
Country of origin	China
Tarif	7326.90.98.90
Materials	Steel Plated
Colour	Black, Chrome or Brass
Product dimensions (H x L x W)	Candle Holder: 3,1 cm x 2,5 cm x 2,5 cm Ball Small: $\varnothing 0,6$ cm Ball Large: $\varnothing 1,5$ cm
Packaging dimensions (H x L x W)	5,7 cm x 18,3 cm x 15 cm
Product weight	1,6 kg
Box Content	4 x Candle Holder, 100 x Small Steel Ball, 100 x Large Steel Ball and Manual
Cleaning	See Page 5

GEJST

CLEANING GUIDE

- ① Separate all of the steel balls from the cylinder and place them on a baking tray covered with baking paper. Make sure the balls remain separated from each other. Turn the cylinder upside down and place it on a baking tray covered with baking paper.



Adskil alle kuglerne fra cylinderen og put cylinderen og hver størrelse kugler på hver deres bageplade med bagepapir. Vær opmærksom på at, alle kugler forbliver adskilt fra hinanden. Husk at vende cylinderen på hovedet.

- ② Preheat the oven to 60°C and place the parts inside it for 10-15 minutes. Remove the parts and clean them with a slightly damp cloth or paper towel afterwards.



Forvarm ovnen til 60°C og opvarm delene i 10-15 minutter. Rengør herefter delene med en let fugtig klud eller papir.

Please note: Do not use any sharp or abrasive objects when cleaning the Molekyl Candleholder.

OBS: Brug ikke skarpe genstande til at rense Molekyl med.